

Descrizione / Description / Description

Rubinetto temporizzato da incasso

Concealed self-closing tap

Robinet temporisé encastrable

Materiali / Materials / Matériels

Componenti in finitura
Finishing components
Composants en finition

Ottone/Brass/Laiton

Componenti torniti
Machined components
Composants tournés

Ottone/Brass/Laiton

Guarnizioni
Gaskets
Joints

EPDM

Componenti plastica
Plastic components
Composants en plastique

POM

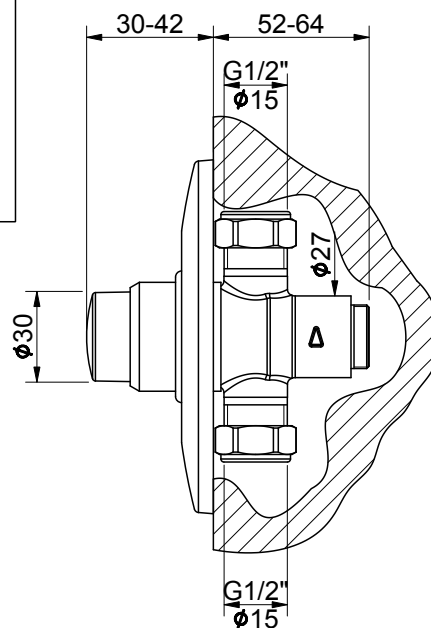
Finitura superficiale
Surface finishing
Finition de la surface

Conforme/According/Conformément EN 248

In accordo alla EN 9227 in merito all'aggressione salina
According to EN 9227 regarding saline aggression
Conformément à la norme EN9227 concernant l'agression saline



Immagine / Picture / Image



Caratteristiche / Features



5 - 70 °C



-



16 l/min (3 bar)



Min 0.5 - Max 6 (Recommended 2-4) bar



100% Made in Italy



15 Years Warranty



Art.

0218008

Energy Expert by Idroexpert

Via dell'Industria 15 - 48015 Montaletto di Cervia (RA) Tel. 0544 964311 - Fax 0544 267811

info@divisionenergy.com - www.divisionenergy.com