

Descrizione / Description / Description

Miscelatore lavabo elettronico

Electronic basin mixer

Mitigeur lavabo électronique

Materiali / Materials / Matériels

Componenti in finitura
Finishing components
Composants en finition

Ottone/Brass/Laiton

Componenti torniti
Machined components
Composants tournés

Ottone/Brass/Laiton

Guarnizioni
Gaskets
Joints

EPDM

Componenti plastica
Plastic components
Composants en plastique

POM

Finitura superficiale
Surface finishing
Finition de la surface

Conforme/According/Conformément EN 248

In accordo alla EN 9227 in merito all'aggressione salina
According to EN 9227 regarding saline aggression
Conformément à la norme EN9227 concernant l'agression saline

Caratteristiche rubinetti con sensore IR
Features IR sensor taps
Caractéristiques des robinets avec capteur infrarouge


Distanza di esercizio <i>Operating distance</i> <i>Distance de fonctionnement</i>	0.5-10	Cm
---	--------	----


Tempo di apertura <i>Opening time</i> <i>Temps d'ouverture</i>	3	sec
--	---	-----

Sistema antivandalo <i>Anti-vandal system</i> <i>Système anti-vandalisme</i>	9	sec
--	---	-----


Sistema anti legionella <i>Anti legionella system</i> <i>Système anti-légionelles</i>	24	ore hours heures
---	----	------------------------

Caratteristiche / Features

	5 - 70 °C
--	-----------

	230/6V DC
---	-----------

	15 l/min (3 bar)
--	------------------

	Min 0.5 - Max 6 (Recommended 2-4) bar
--	---------------------------------------


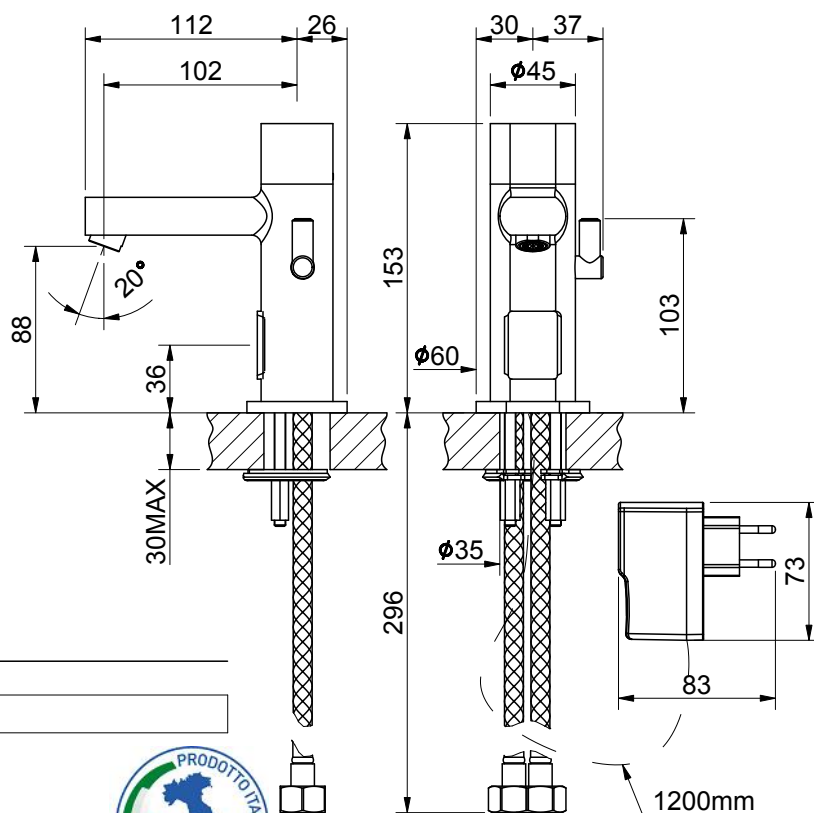
 100% Made in Italy



Immagine / Picture / Image



Art. **0218000**

Energy Expert by Idroexpert

Via dell'Industria 15 - 48015 Montaletto di Cervia (RA) Tel. 0544 964311 - Fax 0544 267811

info@divisionenergy.com - www.divisionenergy.com