

Descrizione / Description / Description

Rubinetto lavabo elettronico

Electronic basin tap

Robinet lavabo électronique

Materiali / Materials / Matériels

Componenti in finitura  
Finishing components  
Composants en finition

Ottone/Brass/Laiton

Componenti torniti  
Machined components  
Composants tournés

Ottone/Brass/Laiton

Guarnizioni  
Gaskets  
Joints

EPDM

Componenti plastica  
Plastic components  
Composants en plastique

POM

Finitura superficiale  
Surface finishing  
Finition de la surface

Conforme/According/Conformément EN 248

In accordo alla EN 9227 in merito all'aggressione salina  
According to EN 9227 regarding saline aggression  
Conformément à la norme EN9227 concernant l'agression saline

Caratteristiche rubinetti con sensore IR  
Features IR sensor taps  
Caractéristiques des robinets avec capteur infrarouge

Distanza di esercizio Operating distance Distance de fonctionnement	0.5-10	Cm
Tempo di apertura Opening time Temps d'ouverture	3	sec
Sistema antivandalo Anti-vandal system Système anti-vandalisme	9	sec
Sistema anti legionella Anti legionella system Système anti-légionelles	24	ore hours heures

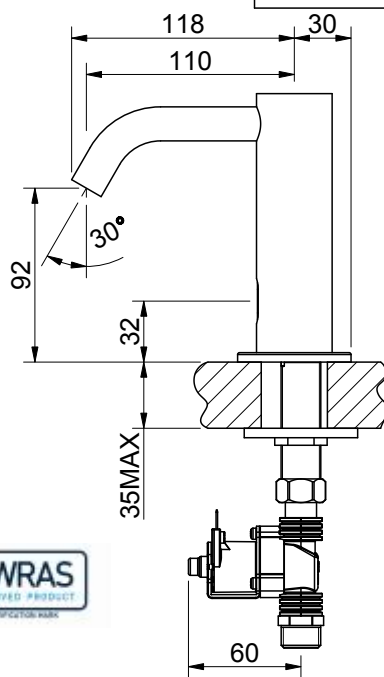
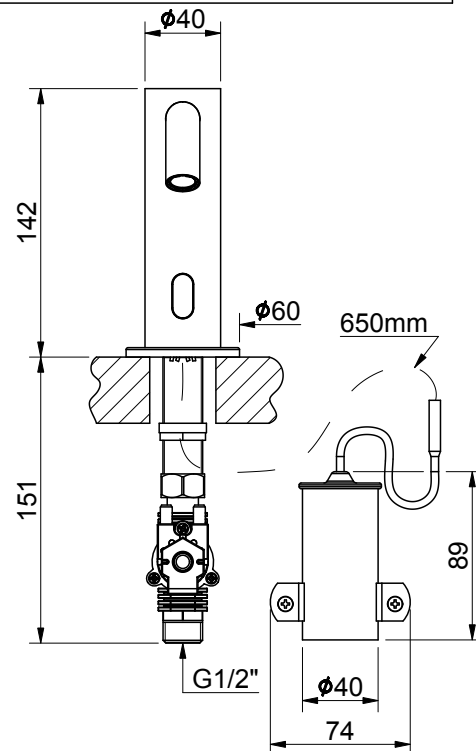






Immagine / Picture / Image



Caratteristiche / Features

	5 - 70 °C
	12 l/min (3 bar)
	Min 0.5 - Max 6 (Recommended 2-4) bar

	4x1,5V AA Lithium
---	-------------------



100% Made in Italy



Art.

0217997

Energy Expert by Idroexpert

Via dell'Industria 15 - 48015 Montaletto di Cervia (RA) Tel. 0544 964311 - Fax 0544 267811

info@divisionenergy.com - www.divisionenergy.com